

ALUMINIUM
GLAZING DIRECT 



StyleFold
Bifolding Doors

Technical manual

STYLEFOLD



INSTALL EFFORTLESSLY WITH STYLEFOLD

Meet StyleFold, our new Bifold door with 110mm glass-to-glass sightlines, pre-gasketed snap-in glazing beads for effortless installation, options for PAS24 Certification and U values from as low as 0.8 w/m2K.

S L I M 110MM GL A S S TO GL A S S S I G H T L I N E S

M O D E R N S Q U A R E L O O K

C O L O U R - M A T C H E D H A R D W A R E

F U L L Y O P E N A B L E C O R N E R S

D O U B L E O R T R I P L E G L A Z I N G

P A S 2 4 C E R T I F I E D O P T I O N S

M U L T I - P O I N T L O C K I N G

B F R C R A T I N G A + + T R I P L E G L A Z E D *

A D J U S T A B L E J A M B O P T I O N

U V A L U E F R O M 0.8 W / M 2 K



Maximum Panel Width 1200 mm

Maximum Panel Height 3000 mm

Maximum Panel Weight 120 kg

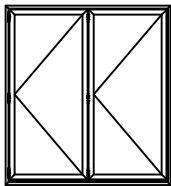
FRAME DEPTH	80 mm
GLAZING THICKNESS	25-48 mm
GLAZING METHOD	Internally Beaded
GLAZING	Double or Triple
FINISHES	Single or Dual. All RAL Colours

PERFORMANCE	
U-VALUE	From 0.8 W/m2K
AIR PERMEABILITY	Class 4
WATER TIGHTNESS	Class E750
WIND RESISTANCE	Class C3

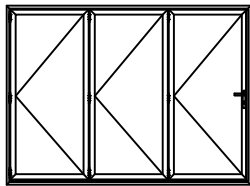
ENHANCED SECURITY	
PAS24	Yes
MULTI-POINT LOCKING	Yes

THRESHOLD HEIGHT	
STANDARD	46.5 mm
LOW	28.5 mm

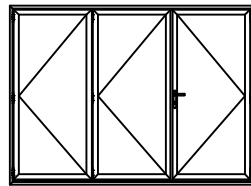
STYLEFOLD - Typical Elevations



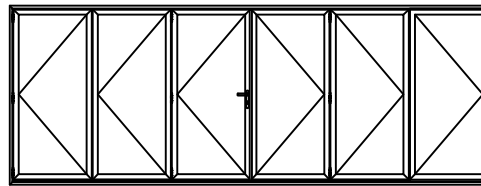
2 PANE - 220



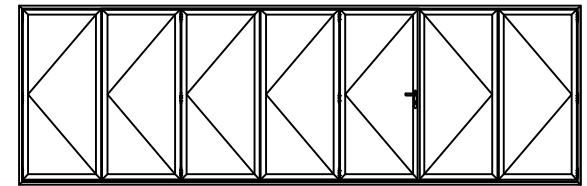
3 PANE - 330



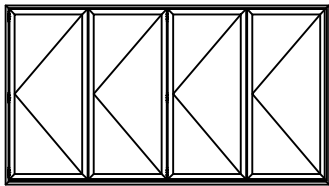
3 PANE - 321



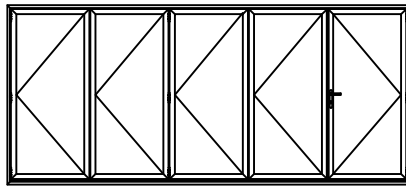
6 PANE - 633



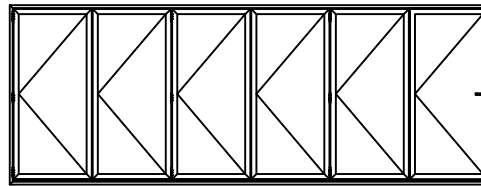
7 PANE - 752



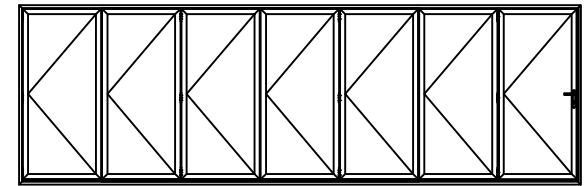
4 PANE - 440



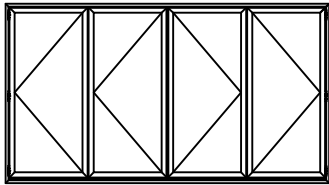
5 PANE - 541



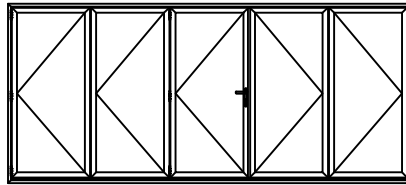
6 PANE - 660



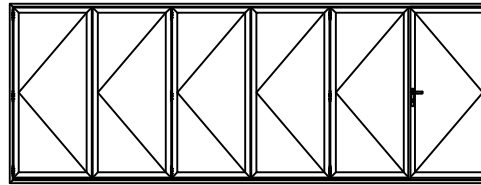
7 PANE - 770



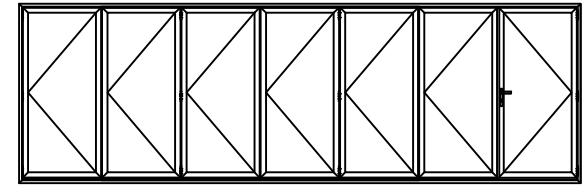
4 PANE - 422



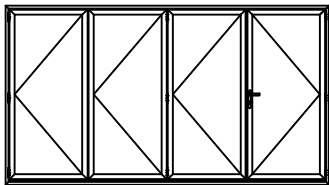
5 PANE - 532



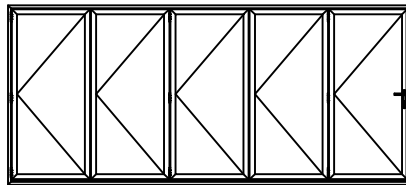
6 PANE - 651



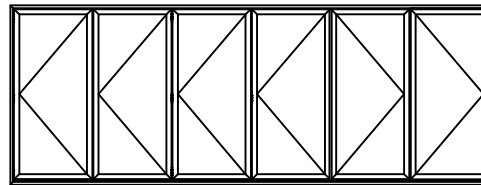
7 PANE - 761



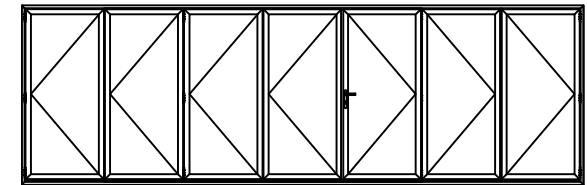
5 PANE - 431



5 PANE - 550



6 PANE - 642

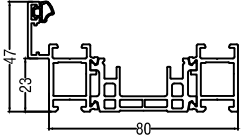
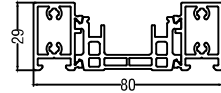
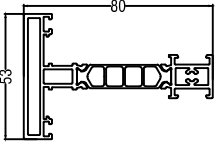
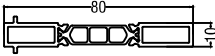
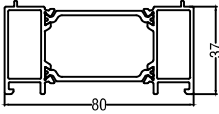
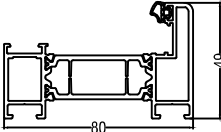

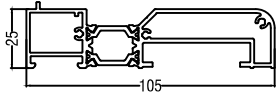
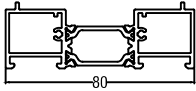
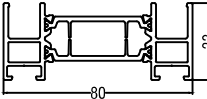

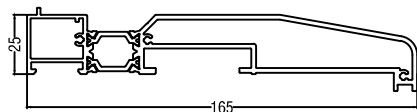
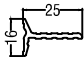

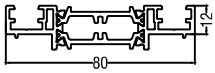
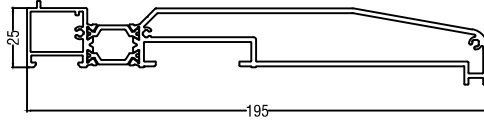
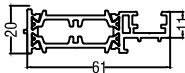
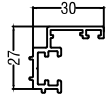
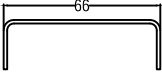
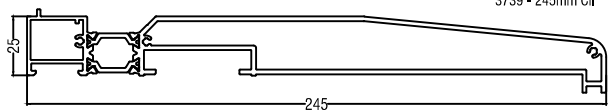
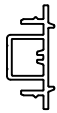




7 PANE - 743

LOW THRESHOLD OPTION AVAILABLE

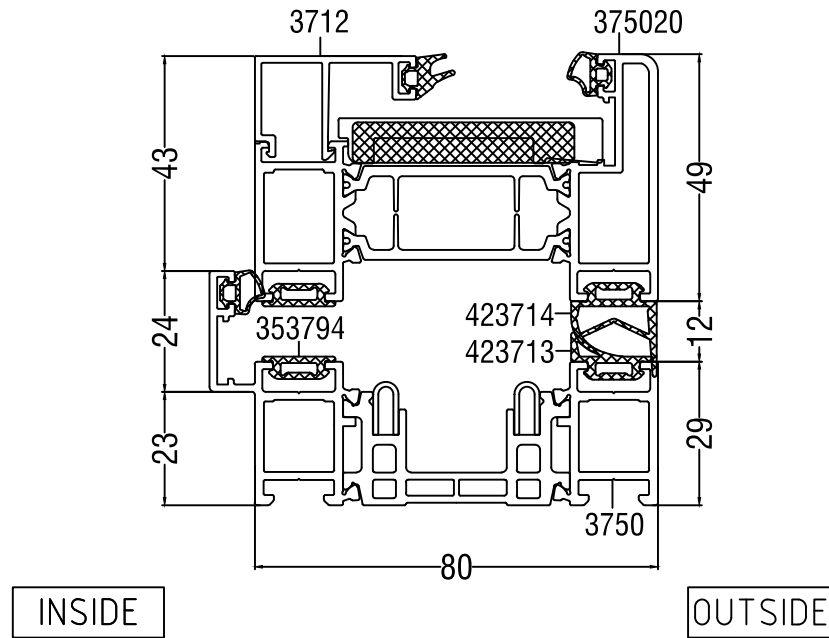
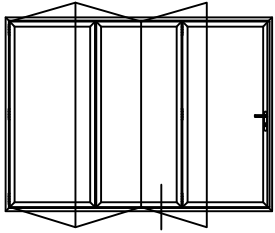
OPEN IN AND OPEN OUT CONFIGURATIONS AVAILABLE

STYLEFOLD - Standard Profiles

 <p>3750 - Outer Frame (Pre inserted gasket)</p>	 <p>3751 - Low threshold track</p>	 <p>3775 - Transom</p>	 <p>3798 - Coupler</p>
 <p>3734 - 37mm Extension Profile</p>	 <p>375020 - Pencil Line Sash (Pre inserted gasket)</p>	 <p>3712 - Glazing bead (28mm glass) 3714 - Glazing bead (36mm glass) 3716 - Glazing bead (44mm glass) (Pre inserted gasket)</p>	 <p>3736 - 105mm C/I</p>
 <p>3733 - 25mm Extension Profile</p>	 <p>3769 - Adjustable Jamb</p>	 <p>1740 - 45mm Drainage Duct</p>	 <p>3737 - 165mm C/I</p>
 <p>3771 - Threshold Ramp</p>	 <p>3768 - Adjustable Jamb Adapter</p>	 <p>3761 - Lock adaptor</p>	 <p>3738 - 195mm C/I</p>
 <p>3762 - Half Roller Adaptor</p>	 <p>3765 - Half roller rebate</p>	 <p>374800 - Gutter Cap</p>	 <p>3739 - 245mm C/I</p>
 <p>3701 - Frame Cover</p>	 <p>3764 - Half roller Adaptor</p>	 <p>3700 - Stainless steel track</p>	

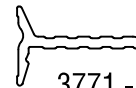
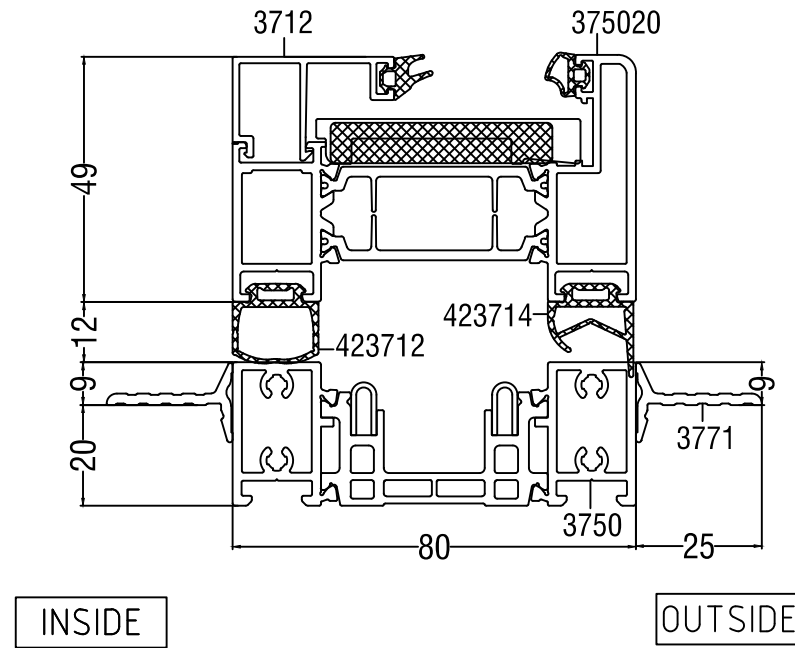
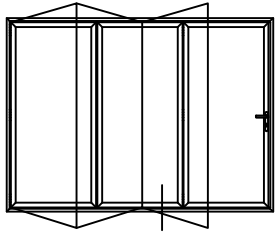
STYLEFOLD - Typical Sections

Threshold - Open Out



STYLEFOLD - Typical Sections

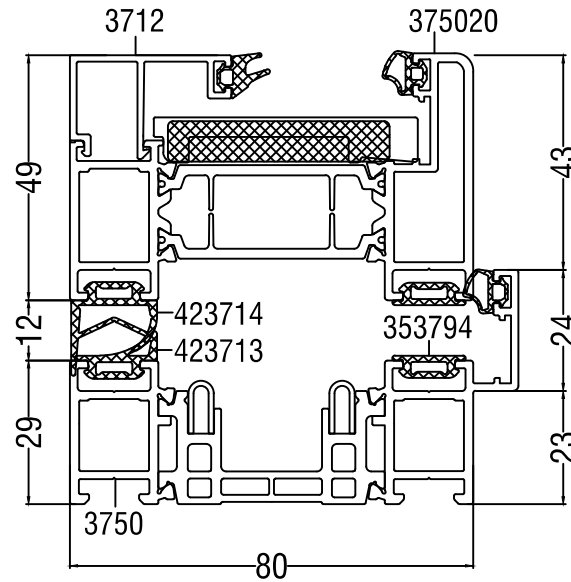
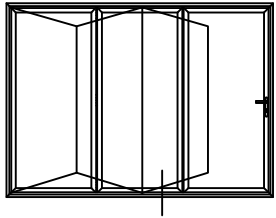
Threshold - Low Threshold



3771 - Threshold Ramp
(optional)

STYLEFOLD - Typical Sections

Threshold - Open In

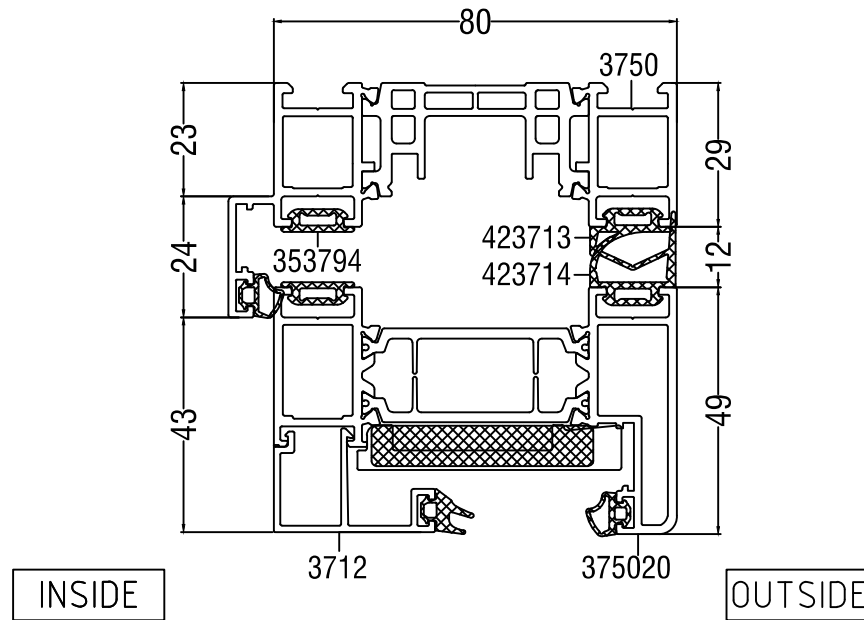
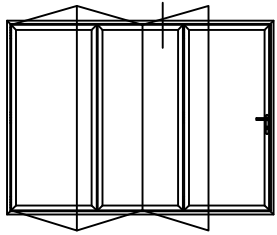


INSIDE

OUTSIDE

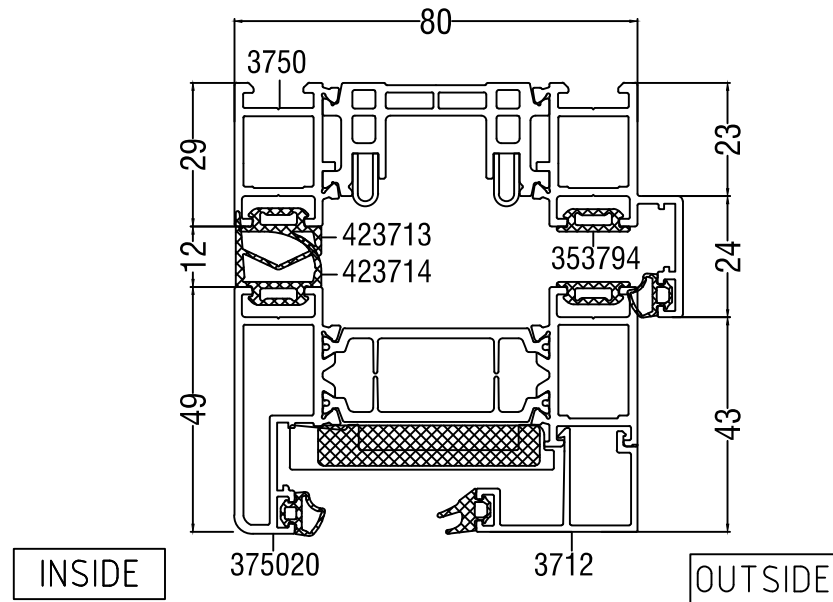
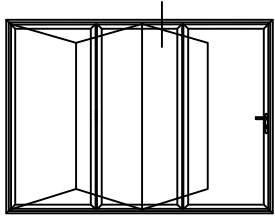
STYLEFOLD - Typical Sections

Head - Open Out



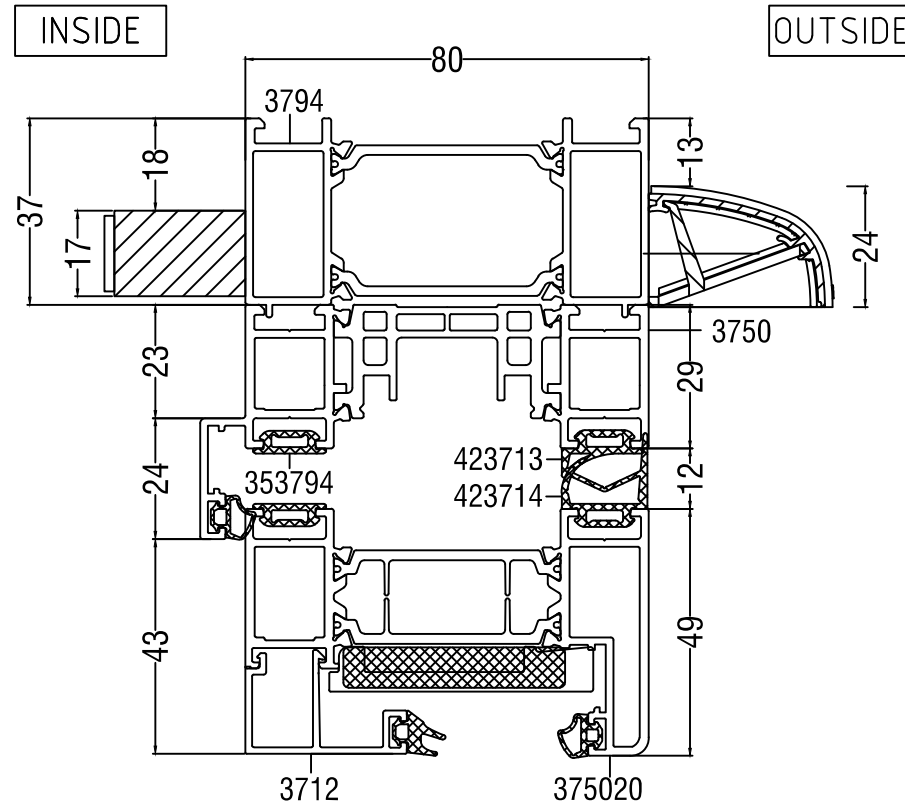
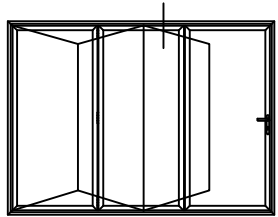
STYLEFOLD - Typical Sections

Head - Open In



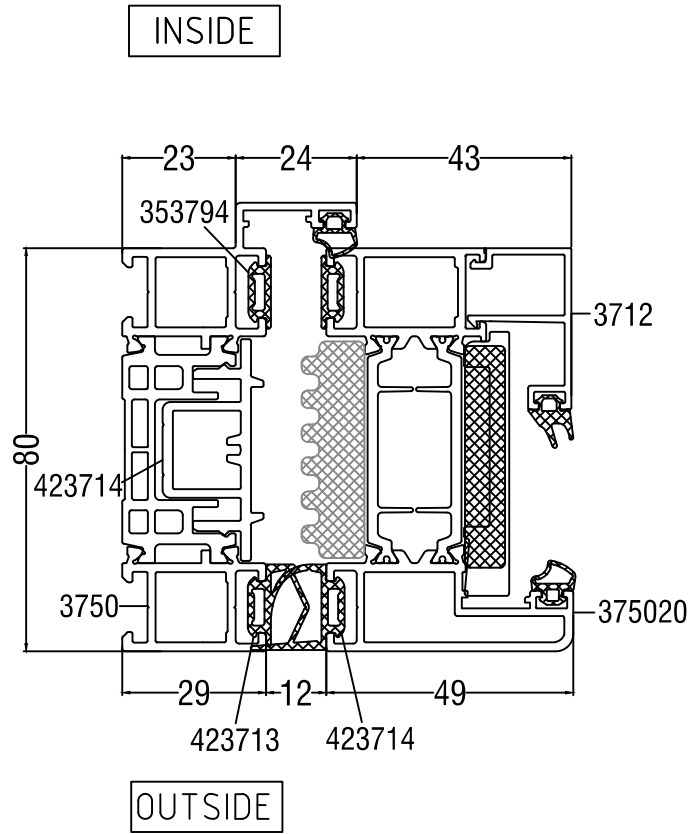
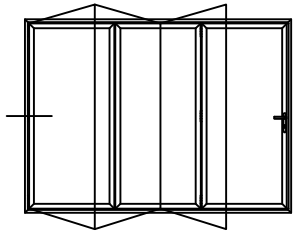
STYLEFOLD - Typical Sections

Head - Open In with 37mm Extension + Trickle Vent



STYLEFOLD - Typical Sections

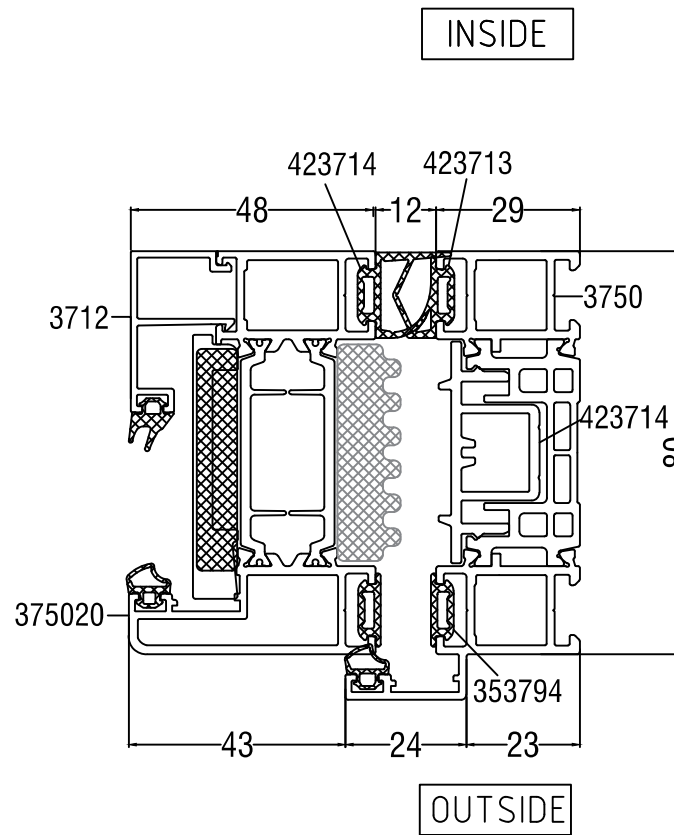
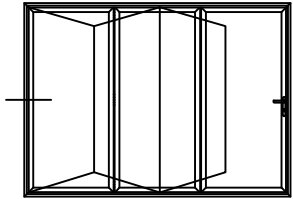
Jamb - Hinged Open Out



320037 (Optional Foam for better u value)

STYLEFOLD - Typical Sections

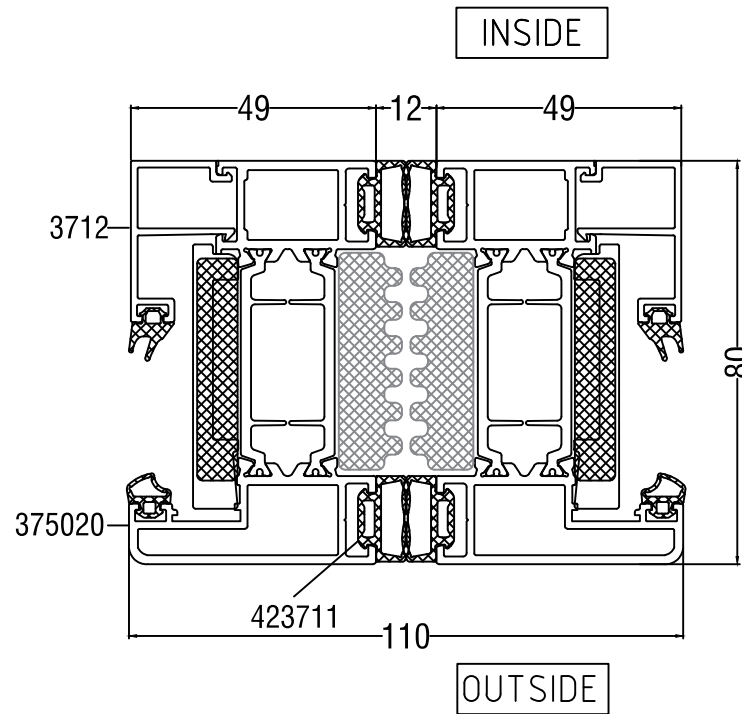
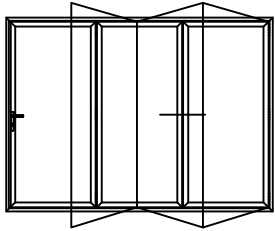
Jamb - Hinged Open In



320037 (Optional Foam for better u value)

STYLEFOLD - Typical Sections

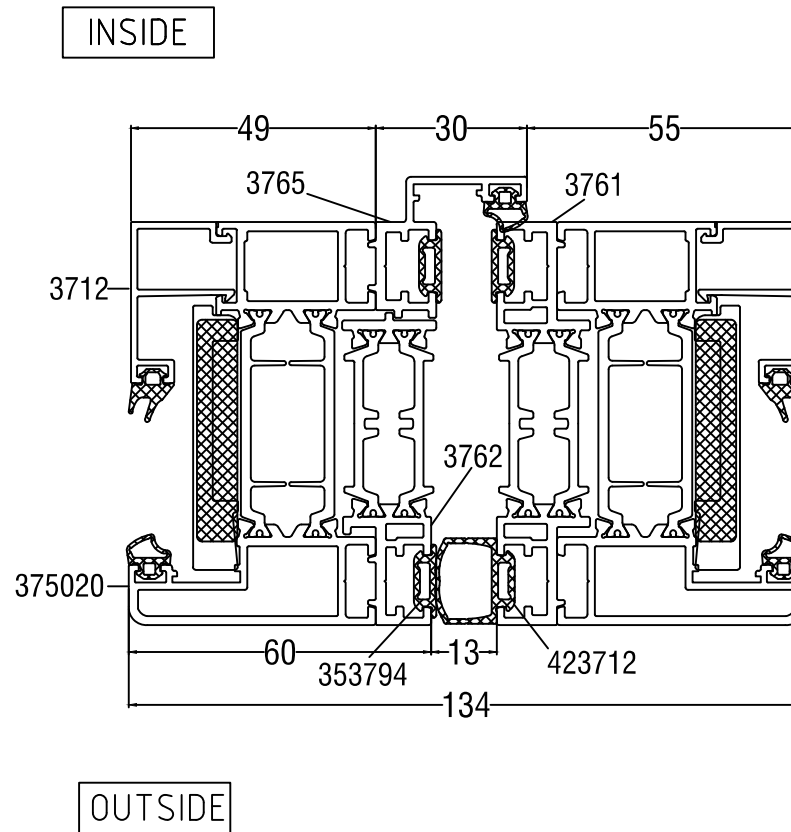
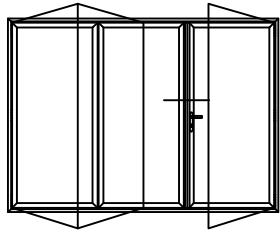
Interlock - T-Handle Open Out



320037 (Optional Foam for better u value)

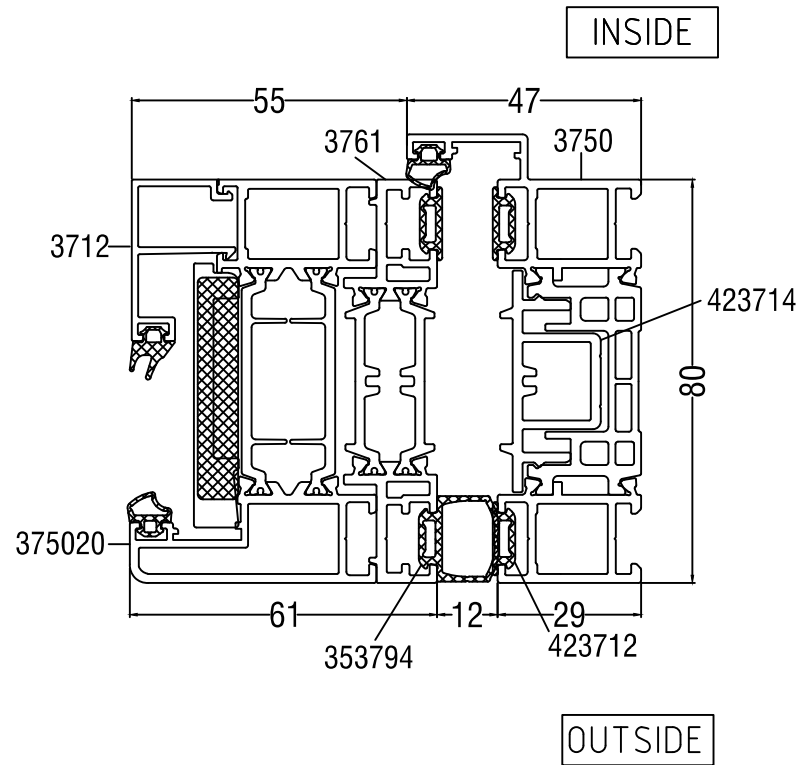
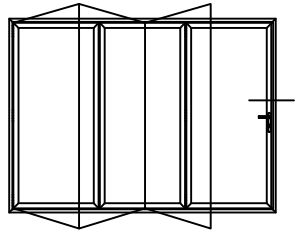
STYLEFOLD - Typical Sections

Meeting - Traffic To Even Open Out



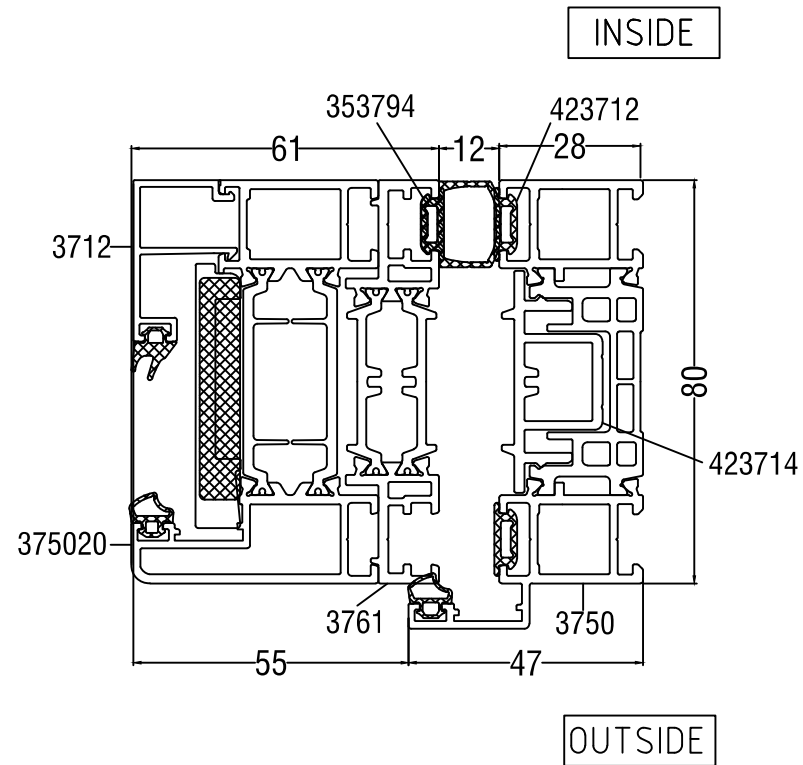
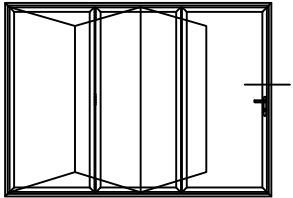
STYLEFOLD - Typical Sections

Jamb - Traffic Door Open Out



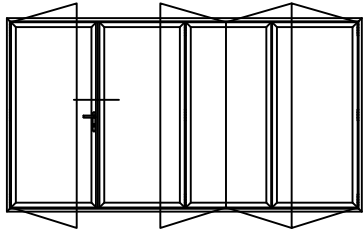
STYLEFOLD - Typical Sections

Jamb - Traffic Door Open In

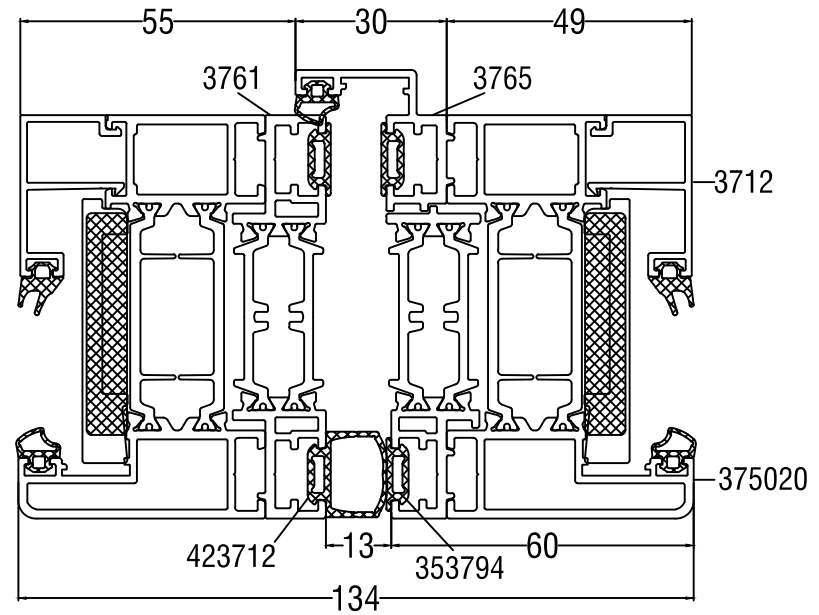


STYLEFOLD - Typical Sections

Meeting - Traffic To Odd Open Out



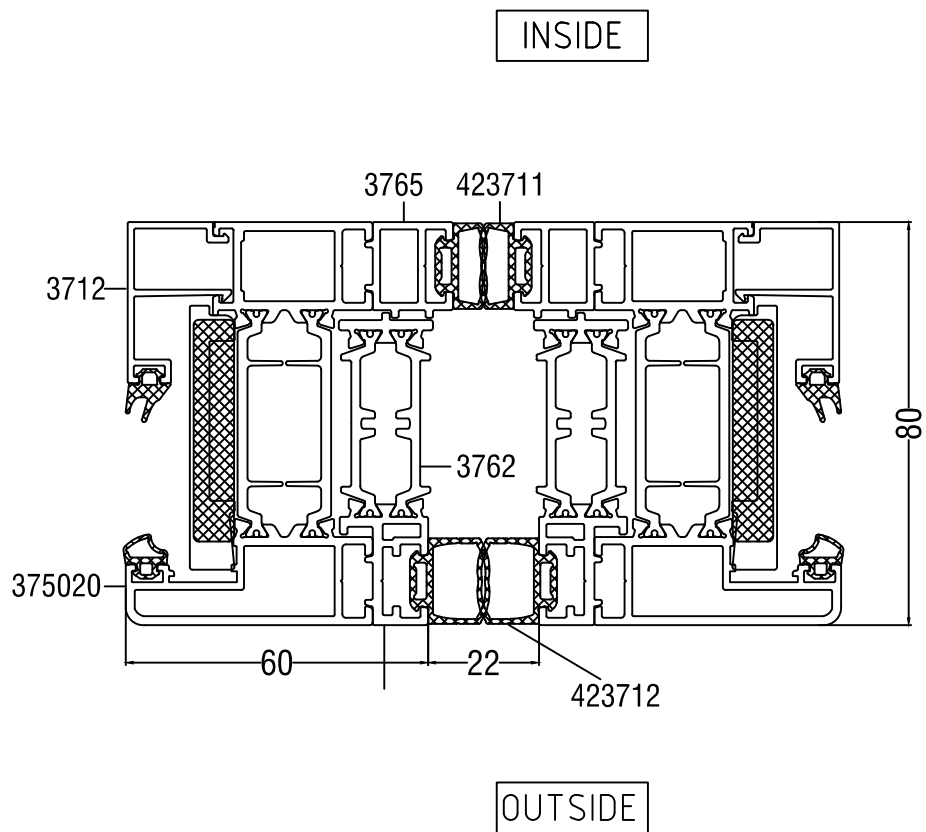
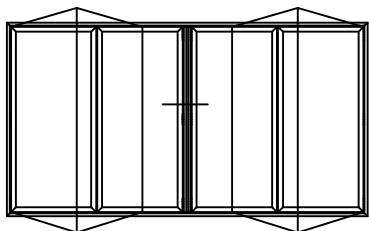
INSIDE



OUTSIDE

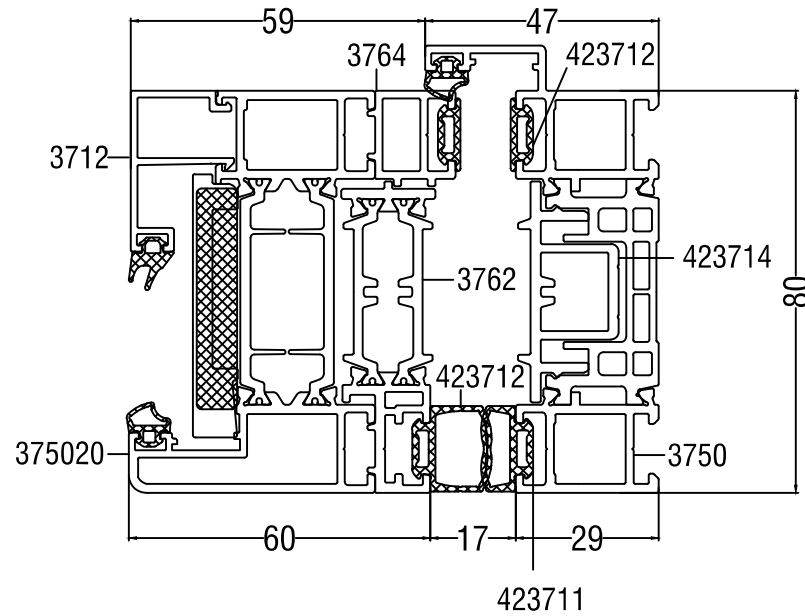
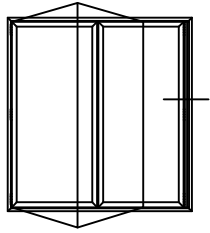
STYLEFOLD - Typical Sections

Meeting - EvenTo Even Open Out - No Traffic Door



STYLEFOLD - Typical Sections

Jamb - Even Configuration - No Traffic Door

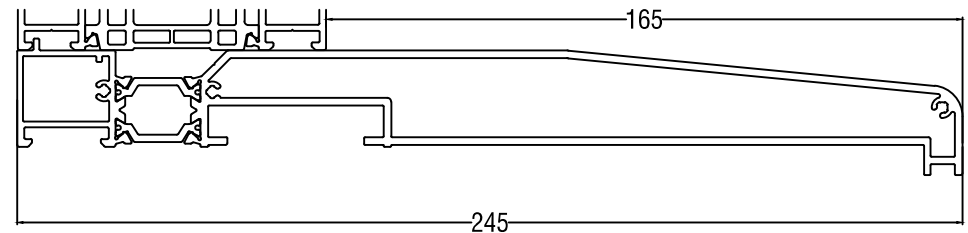
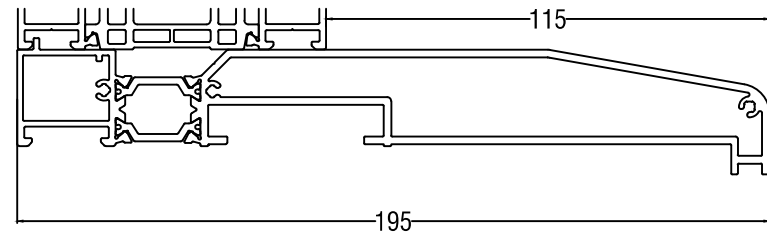
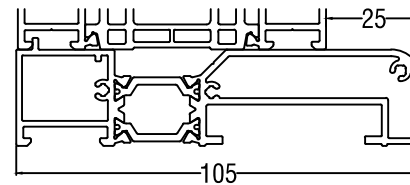
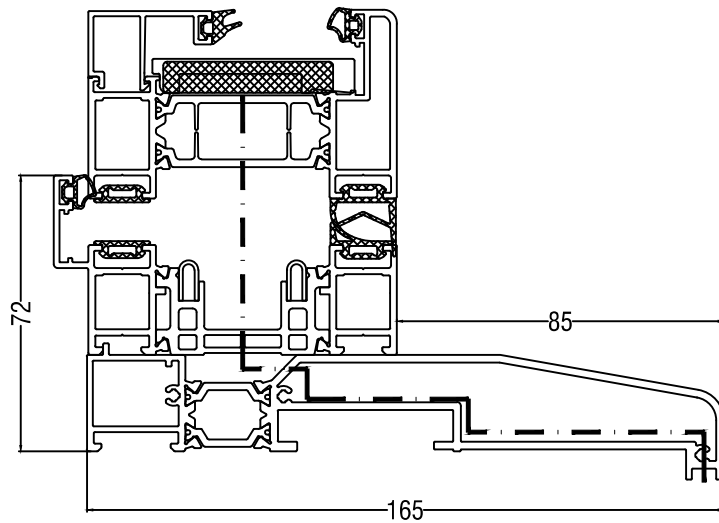
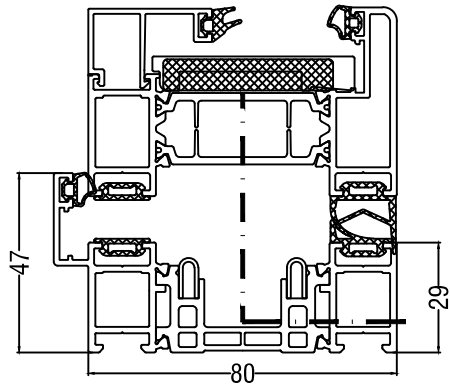
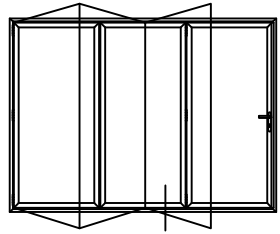


STYLEFOLD - Typical Sections

Threshold - Base detail Cil options

INSIDE

OUTSIDE



STYLEFOLD - Typical Sections

Threshold - Low threshold options

